



# TARAY

## INTERNATIONAL

C O R P O R A T I O N

## PRIVATE LABEL

# Mini Extruder

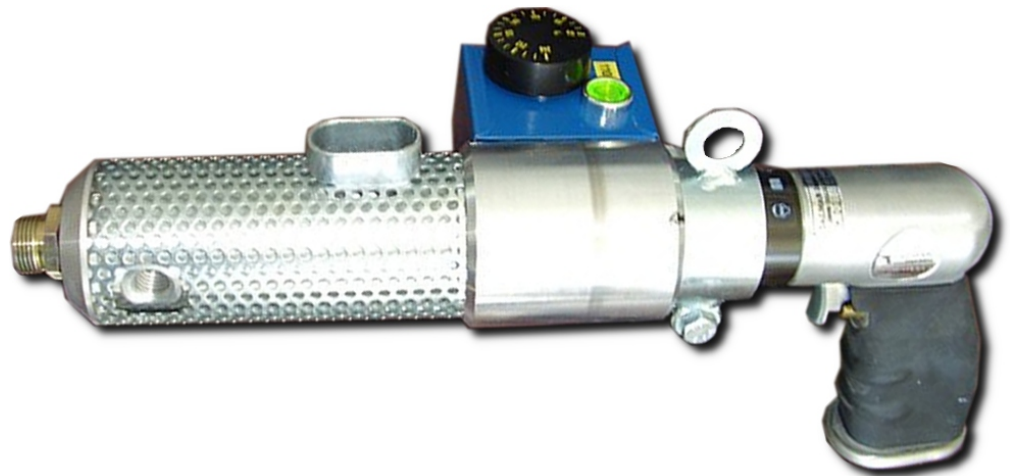
Sales . Service . Parts

*Eliminates*

**HAND  
STITCHING**

**TRAPPED  
AIR**

**CONTAMINATED  
CUSHION**



"Our business is global...our service is personal."

111 N. Collier Blvd. Marco Island, FL 34145  
(239) 394-6099 phone - (800) 526-0049 toll free - (239) 394-5388 fax  
[www.taray.com](http://www.taray.com)

# MINI EXTRUDER

## INSTRUCTIONS FOR USE

### CONNECTION

The Mini Extruder should be connected to a standard 110 volt or 220 volt grounded outlet and a 1/4" air supply of 90 - 100 psi is recommended.

### OPERATION

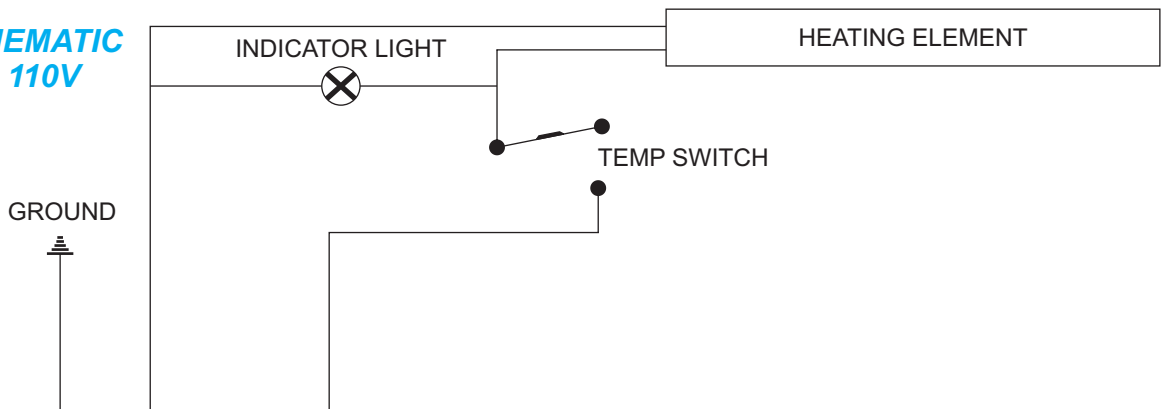
After connections to power supply are made, switch on the heating system for the Mini Extruder and allow 5-10 minutes for the unit to reach full operating temperature. The pilot light will go off once optimum operating temperature has been reached.

Feed the Mini Extruder with rope rubber up to 3/8" diameter through the extruder feed box.

Insert rubber into the feed box, pull the trigger on the air drive and hold until the rubber extruded from the nozzle smooths out.

Once the extruded rubber forms a smooth output, the tool is ready to be used for filling repairs.

### ELECTRICAL SCHEMATIC POWER SUPPLY - 110V



### LIMITED WARRANTY

This warranty is made in lieu of any and all warranties, either express or implied. This extruder is warranted to be free from defects in material or workmanship. Taray International Corporation will replace at no charge, based upon our sole analysis, any parts or units which upon inspection by us is found to contain defective workmanship or defective materials within six (6) months of the original purchase date. Taray International Corporation has made no affirmations of fact nor have we made any promises relating to the extruder being sold that has become the basis of our bargain. Furthermore, Taray International Corporation has made no affirmation of fact or promise relating to the extruder being sold that has created or which amounts to an express warranty that the goods will conform to any other affirmation or promise contained outside this agreement. Any description of the extruder contained in this agreement for the sole purpose of identifying the extruder and has not been made part of the bargain to purchase, nor has it created or amounted to any express warranty. Taray International Corporation makes no warranty of merchantability with respect to this extruder being sold. Taray International Corporation does not make a warranty as to fitness or any particular purpose whatsoever with respect to this extruder being sold, other than to state that this product is manufactured for the use in repairing buzzouts on buffed tires. Since Taray International Corporation have no control over the conditions or circumstances under which this product is used, we will assume no liability for any incidental or consequential damages to any person or property which may result from the use of this extruder. Accordingly, there are no warranties, express or implied, which extend beyond the face of this Limited Warranty. "This extruder is sold as is and with all faults other than expressly stated in this Limited Warranty."

# CLEANING INSTRUCTIONS

## WHEN THE MINI EXTRUDER IS NOT IN USE FOR SHORT INTERVALS:

(1 hour or less). Perform the following steps:

- 1.) Cut off feed of rope to Mini Extruder.
- 2.) Extruder out rubber remaining in barrel.
- 3.) Leave air and electrical connected. Suspend unit out of the way of general traffic.

**CAUTION: DO NOT DISCONNECT AIR AND ELECTRIC**

## WHEN THE MINI EXTRUDER IS NOT IN USE FOR LONGER INTERVALS:

(Over 1 hour). Perform the following steps:

- 1.) Cut off feed of rope to Mini Extruder.
- 2.) Extruder out rubber remaining in barrel.
- 3.) Feed Taray/Advantage Extruder Cleaner into barrel.
- 4.) Leave air and electrical connected. Suspend unit out of the way of general traffic.

**CAUTION: DO NOT ATTEMPT TO CLEAN THE NOZZLE WHEN UNIT IS STILL HOT**

## WHEN STARTING THE MINI EXTRUDER AGAIN

- 1.) Loosen compression nut that attaches the nozzle to the barrel.
- 2.) Pull the nozzle away from the barrel. This will pull the rubber plug out of the nozzle.
- 3.) Pull the rubber plug out of the barrel.
- 4.) Connect air and electrical supplies to the Mini Extruder.
- 5.) Allow 5-10 minutes for the unit to fully heat up.
- 6.) Extrude out any remaining Taray/Advantage Extruder Cleaner from the barrel.

## EXTRUDER MAINTENANCE

The Mini Extruder is designed to require very little maintenance, however, as with any tool or machine, it does require basic general maintenance.

The drive portion of the Mini Extruder is a pneumatic drill. Be sure that a filter-regulator-lubricator is present in the line feeding the tool and that those units are properly monitored and maintained.

Every three to five weeks, depending on use, the Mini Extruder should be disassembled, the extruder screw removed and cleaned, the shank of the screw polished, and the unit reassembled. This operation requires about ten minutes to accomplish and will prevent costly down time should any foreign material cause the extruder screw to seize.

**The use of Taray / Advantage Extruder Cleaner on a daily basis is highly recommended.**

# SPARE PARTS - MINI EXTRUDER

ITEM#	PART#	DESCRIPTION	ITEM#	PART#	DESCRIPTION
1	68501	Shaped Nozzle	14	68514	Heat Element - 110V
2	68502	Nozzle Adapter	15	68515	Thermostat
3	68503	Screw For Head Cap	16	68516	Control Box
4	68504	Head	17	68517	Screw For Control Box
5	68505	Cooling Sleeve	18	68518	Screw For Thermostat
6	68506	Handle	19	68519	Knob
7	68507	Central Body	20	68520	Pilot Light
8		Clamp With Screw	22	68522	Muffler
9	68509	Extruder Screw	23	68523	Air filter / Regulator / Lubricator (opt.)
10	68510	Square Joint	24	68524	Back Bushing
11	68511	Tang			
12	68512	Bosch Drill			
13	68513	Heat Element - 220V			

